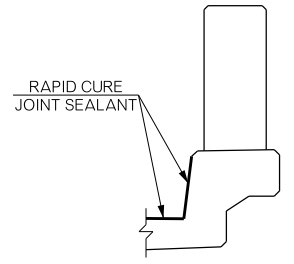
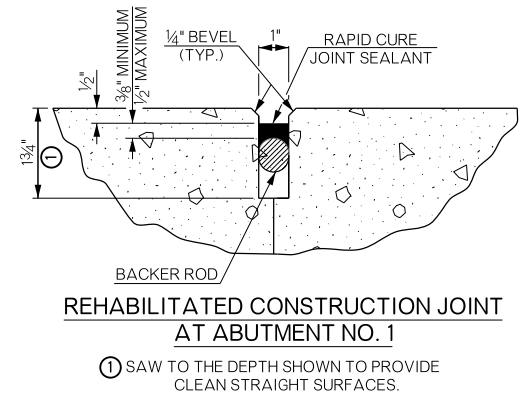
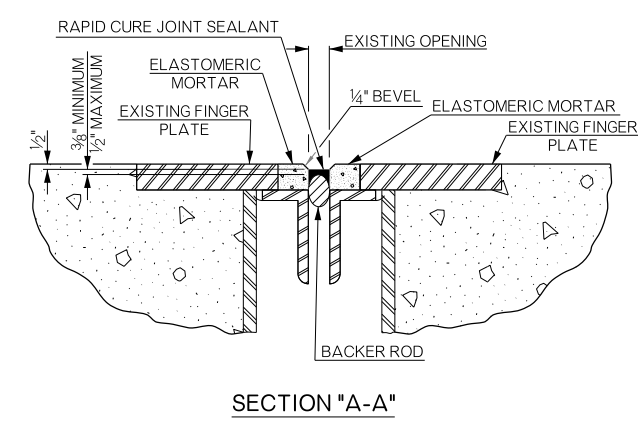
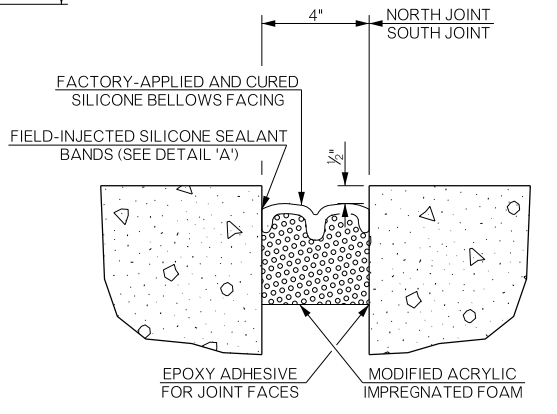
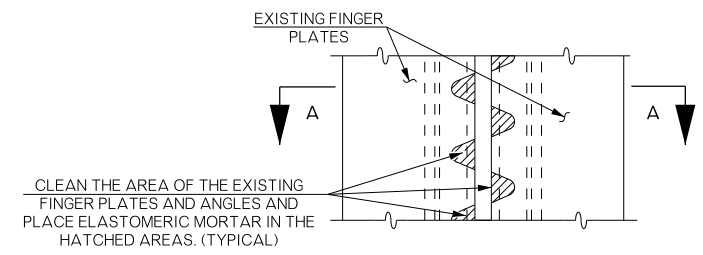
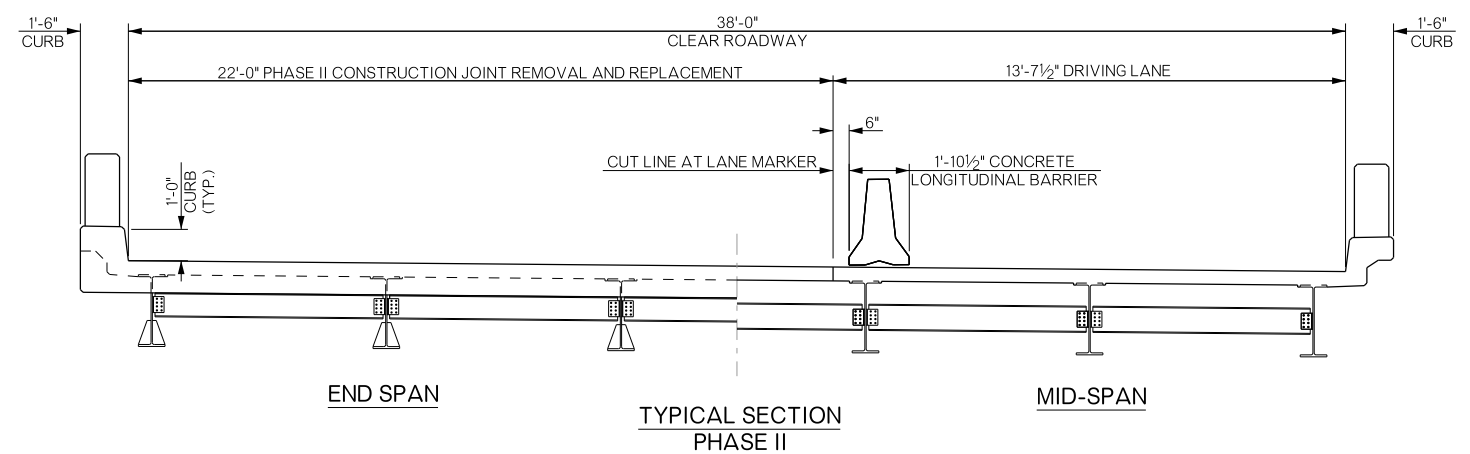
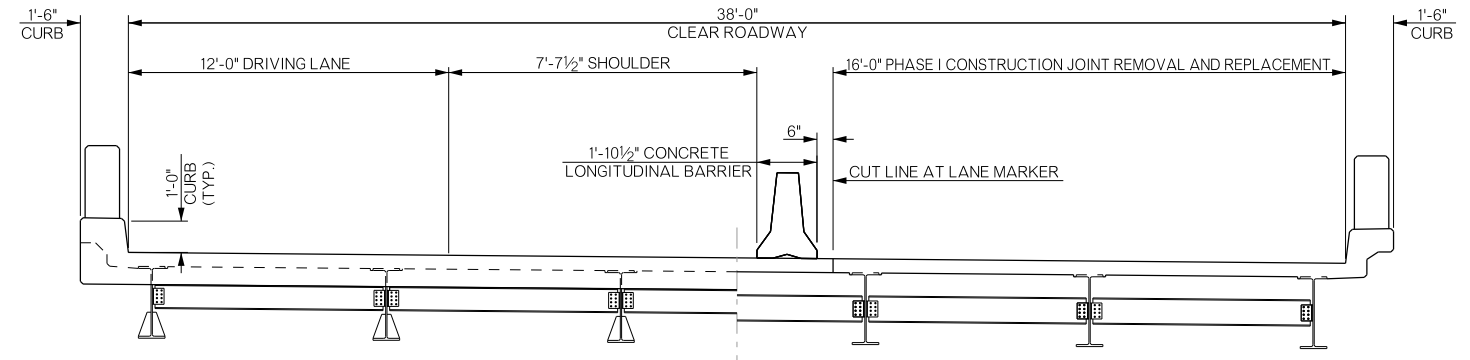
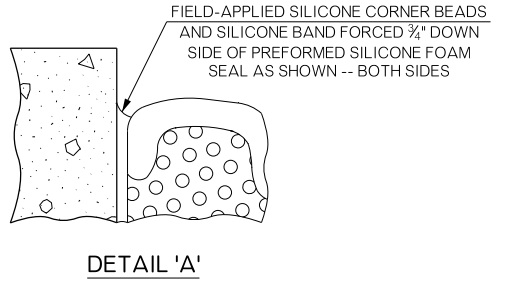
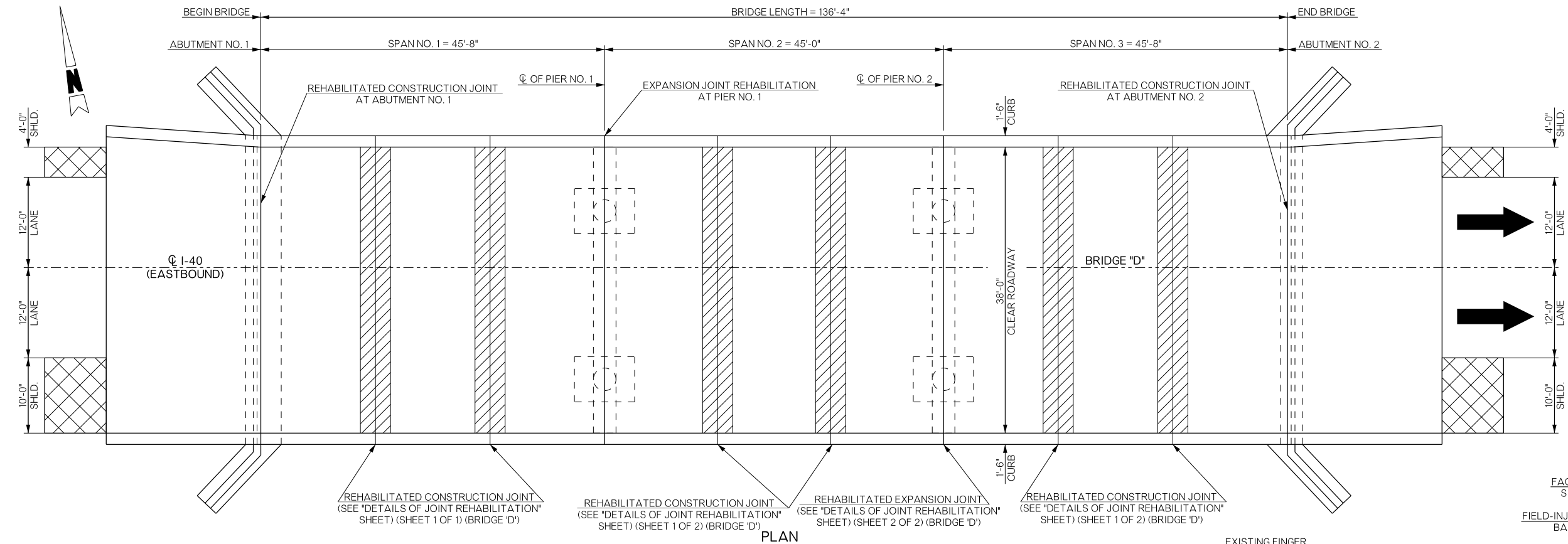


REVISIONS		
REV. NO.	DESCRIPTION	DATE



NOTE: PLACE RAPID CURE JOINT SEALANT ALONG THE TOP AND 6 INCHES UP TRAFFIC FACE CURB, AS SHOWN WITH A HEAVY LINE.

BRIDGE "D" I-40 EASTBOUND OVER WOLF CREEK	OKMULGEE COUNTY	Design	N/A	N/A
GENERAL PLAN, TYPICAL SECTION, AND DETAILS OF JOINT REHABILITATION (BRIDGE 'D')		Detail	BRJ	3/16
		Check	TEE	6/16
		Squad	HENSLEY	
		Engr.	DEFRANCO	
STATE OF OKLAHOMA	DEPARTMENT OF TRANSPORTATION	JOB/PIECE NO.	31694(04)	SHEET NO.
				B009